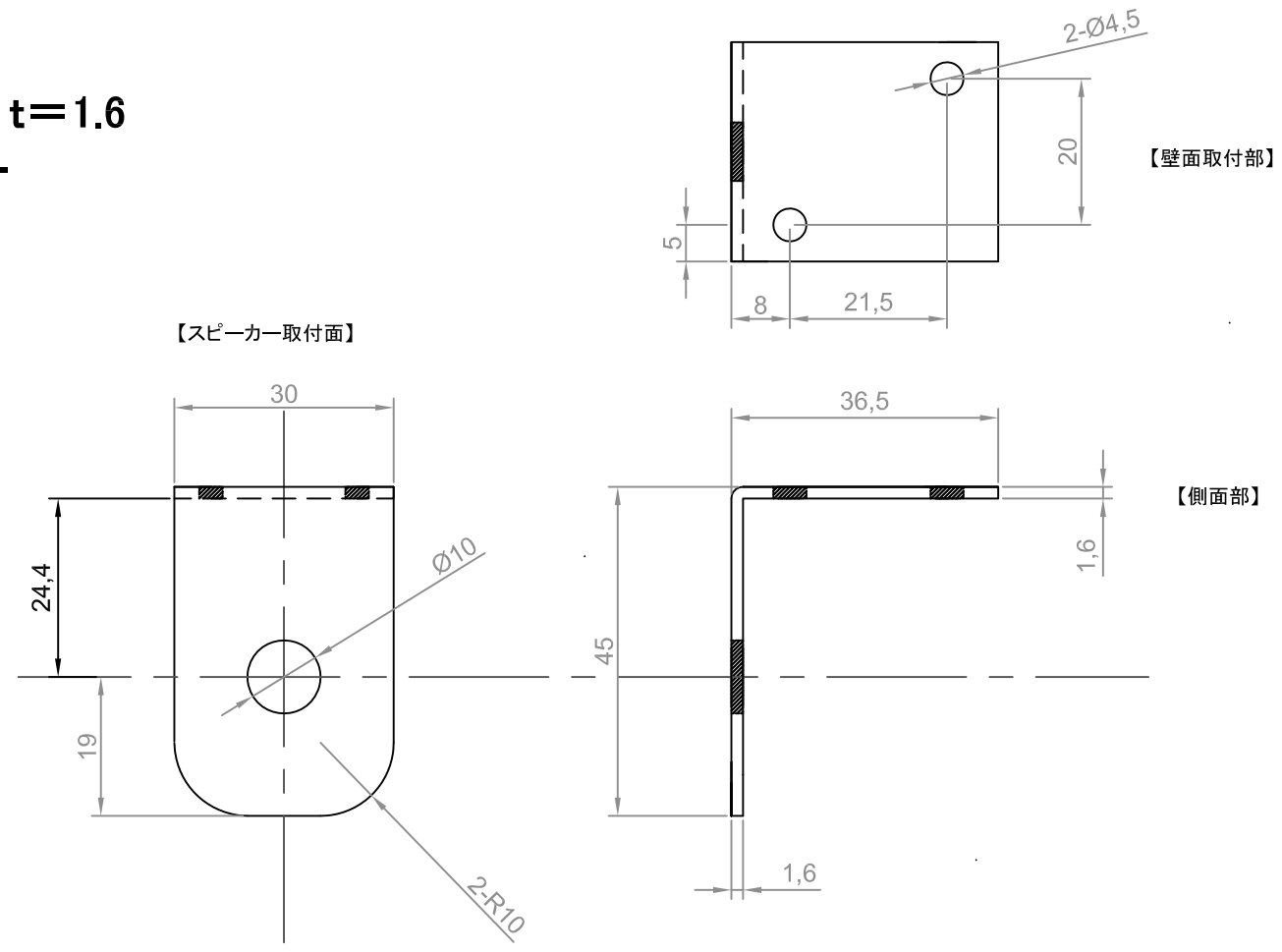


PLS-2WP, PLS-4WP用 特型L字金具

L-45

材質 ... SPCC t=1.6
色 ... シルバー



No. PART NAME

Itemref	Quantity	Title/Name, designation, material, dimension etc			Article No./Reference	
DRAW.	Checked by	Approved by - date	File name	Date	Scale	
T.Yamaguchi				2016.6.12		
FPS INC.				PLS-2WP, PLS-4WP用特型L字金具 L-45		
株式会社エフピーエス				外観図	Edition	Sheet