

Specifications

Mini amplifier FPS-BMD9736

Electrical characteristics

Source voltage : 9-24V (DC)
 Power supply terminal : $\phi 3.5\text{mm}$ DC power jack
 Source pilot lamp : Red LED
 Consumption current : 50mA
 Standby current : 10 μA

Audio

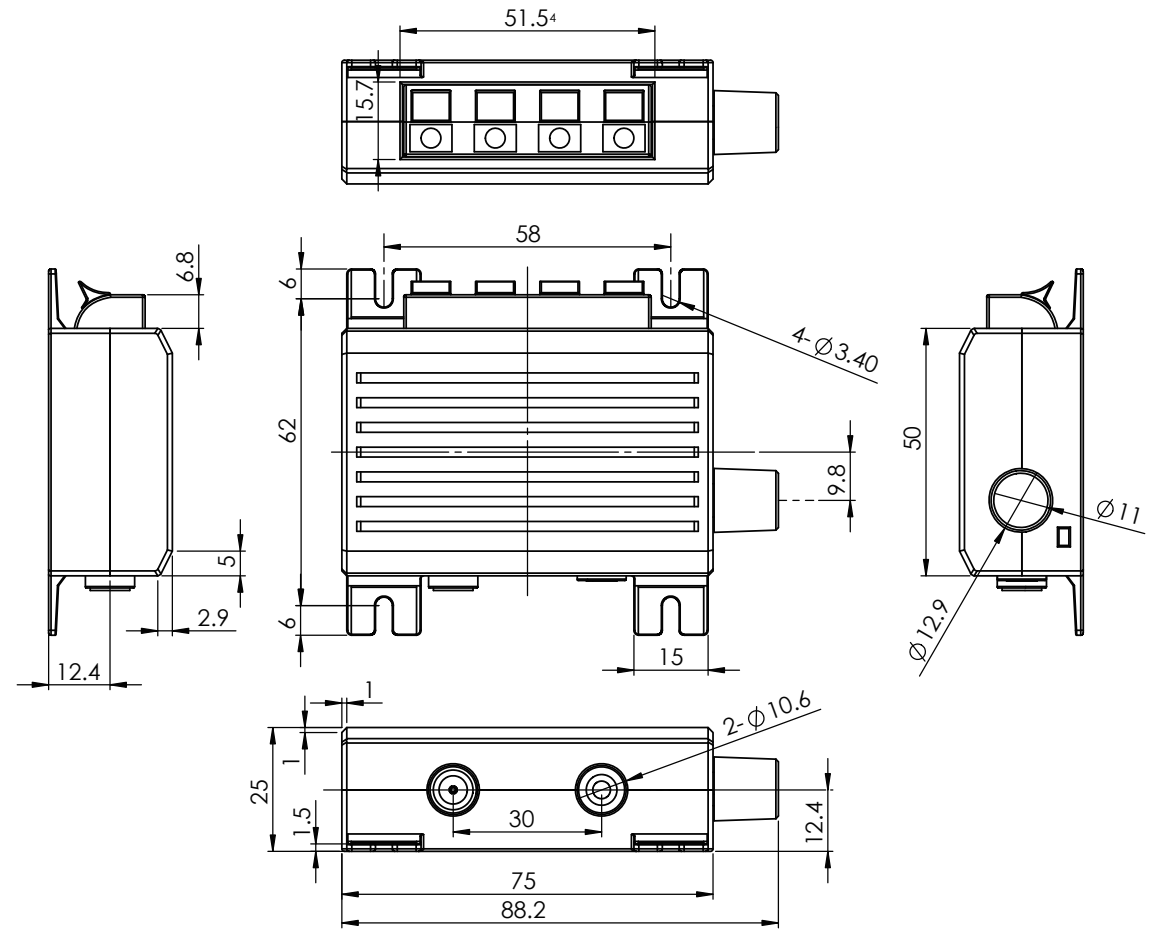
Input Impedance : 20k Ω ($\phi 3.5\text{mm}$ stereo mini jack)
 Output load resistance : 4-8 Ω (L/R)
 Maximum Output : 13W (24V,8 Ω ,THD+N=1%)
 Frequency Range : 20-22,000Hz
 Volume control : VR (rotary-style Type A)

External

Dimensions : 74mm x 25mm x 88.2mm (include rising)
 Weight : 60g (Body)
 Color : Black mat
 Material : Resin

Attachment

AC adapter, $\phi 3.5\text{mm}$ stereo mini-plug audio cable, Guarantee



No.	PART NAME

Itemref	Quantity	Title/Name, designation, material, dimension etc			Article No./Reference	
DRAW.	M.Nakano	Checked by	Approved by - date	File name	Date	Scale
FPS INC.		Specifications FPS-BMD9736			Edition	Sheet
株式会社エフピーエス		Outline view			02	