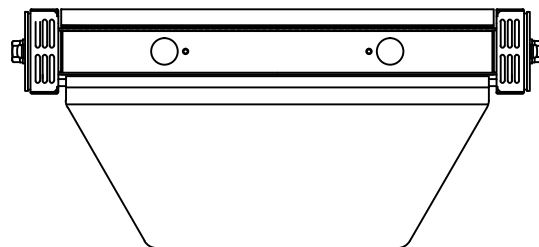
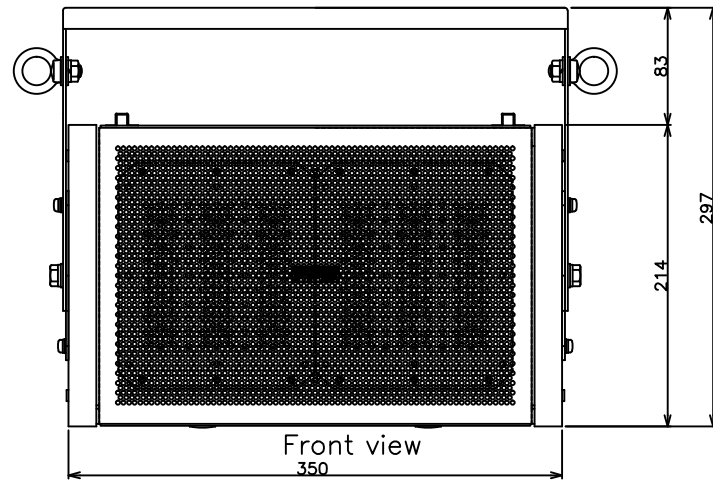
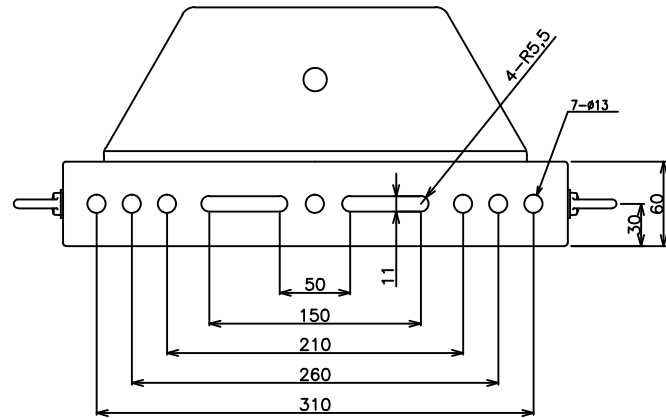
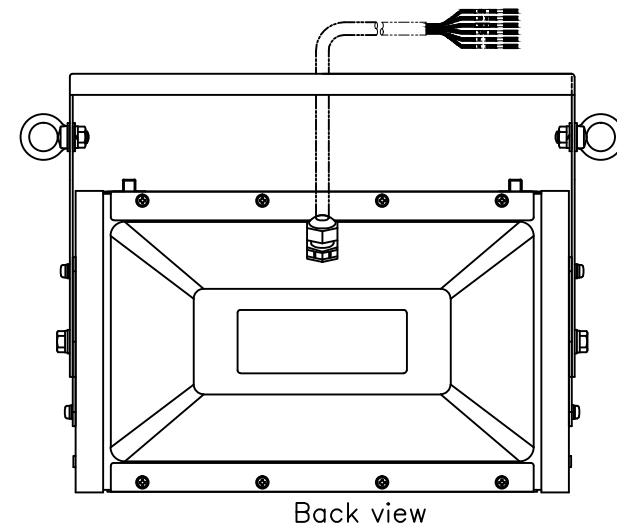
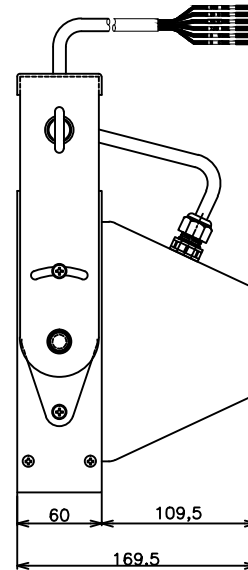


MCMA flat panel speakers inside FP-200HB (1side sealed box type)



Specifications

Sound radiation type : 1 side sealed box type (you can use it as same as conventional speakers)
 Speaker configuration : MCMA flat speaker FPS1010M3(R2/R4) x 2pcs
 Impedance: 500Ω (20W) / 1kΩ (10W) / 1.33kΩ (7.5W) / 2kΩ (5W)
 Input: 20W / 10W / 7.5W / 5W
 SPL : 91dB/W/m
 Frequency range : 330Hz - 12kHz
 Directional characteristics : Vertical 160°, Horizontal 60° (2kHz -6dB average)
 Input connector: 1.5m length cable straight out (6 pin)
 Pin assign: White: COM, Black: 20W, Brown: 10W, Red: 7.5W, Yellow: 5W, Green: NC
 Materials Frame: ALP/SECC, Under paint: Powder coating, Surface paint: Acrylic,
 Mounting bracket: SUS t2.0, Cabinet: PCABS resin
 Waterproof level: IPX5
 Dimensions : W350×H297×D169.5 mm (including bracket, not including eyebolts)
 Weight : App. 4.5kg
 Color: Black (N-1 semi-gloss), brackets: stainless
 Attachment : M8 stainless steel eye bolt, nut, washer x 2 sets



Itemref	Quantity	Title/Name, designation, material, dimension etc			Article No./Reference	
DRAW T.Yamaguchi.		Checked by	Approved by - date	File name	Date 2016,09,27	Scale
FPS INC. 株式会社エフピーエス				FP-200HB outdoor use plane wave speaker		
				Outline drawing		Edition 02