

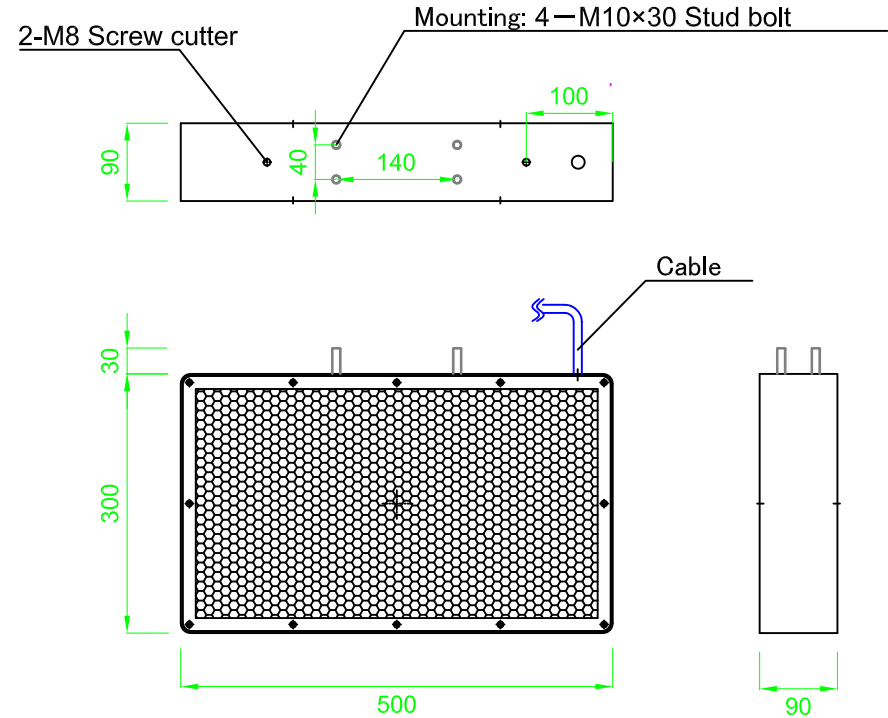
Flat Panel Speaker System  
Dual sided Plane wave speaker

# FB-6001-LW

## FB-6001-HW High Impedance transformer installed type

※ This specification may be changed without a notice.

- Type : Dual sided speaker by a single amplifier
- Speaker Unit : FPS2030 Flat Speaker x 1
- Impedance : 8Ω 【※ FB-6001-LW】  
 : 170Ω (100V/60W)  
 : 330Ω (100V/30W) 【※ FB-6001-HW】  
 : 670Ω (100V/15W)
- Normal Power Input : 125W 【※ BM-6001W】  
 : 60W/30W/15W 【※ FB-6001-HW】
- Sound Pressure Level : 89dB at 1W 1m
- Frequency Responce : 250Hz - 10kHz(-10dB)
- Directional Charac. : Vertical 70° , Horizontal 50° (2kHz -6dB)
- Input Connector : 4-pin cable
- Pin Assign : Red(+), White(-) 【※ FB-6001-LW】  
 : Red (COM), Pink(170Ω)  
 : White (330Ω) , Translucent(670Ω) ) 【※ FB-6001-HW】
- Cabinet : SPCC
- Mounting : M10 x 30 Stud Bolt x 4
- Dimensions : W500 x H330 x D90 (mm)
- Weight : 10.5kg 【※ FB-6001-LW】  
 : 12.5kg 【※ FB-6001-HW】
- Color : Black (Stantard color) 、 Available for Custom Colors
- Accessories : M8 eyebolt x 2, M10 nut / washer/ spring washer x 4



No. PART NAME

Itemref	Quantity	Title/Name, designation, material, dimension etc			Article No./Reference	
DRAW.		Checked by	Approved by - date	File name	Date	Scale
<b>FPS INC.</b> 株式会社エフピーエス				FB-6002-LW / FB-6001-HW		
				Specification sheet	Edition	Sheet