

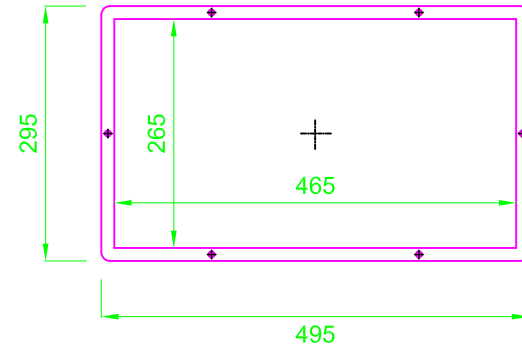
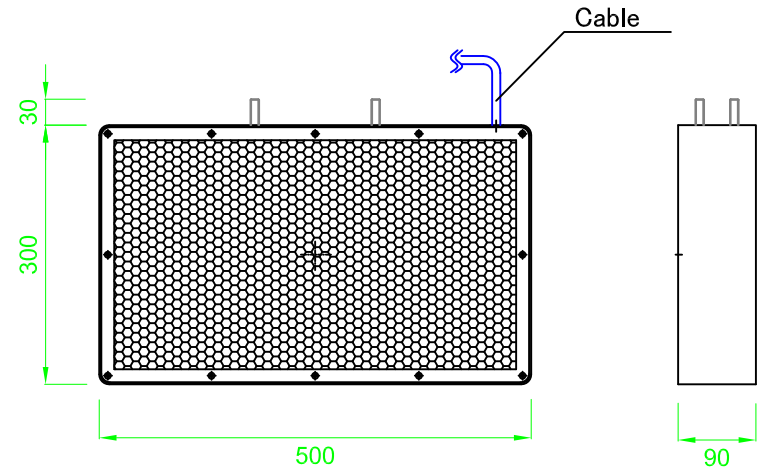
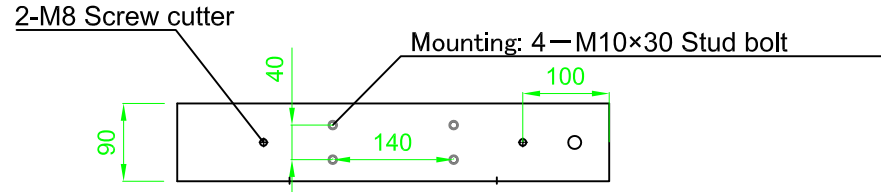
Flat Panel Speaker System  
Sealing Box Type

**FB-6001-LB**

**FB-6001-HB** Installed matching transformer inside

※ This specification may be changed without a notice.

- Speaker Unit : FPS2030 Flat Speaker x 1
- Impedance : 8 Ω 【※ FB-6001-LB】  
: 170 Ω (100V/60W)  
: 330 Ω (100V/30W) 【※ FB-6001-HB】  
: 670 Ω (100V/15W)
- Input : 125W 【※ FB-6001-LB】  
: 60W/30W/15W 【※ FB-6001-HB】
- Sound Pressure Level : 89dB at 1W 1m
- Frequency Responce : 250Hz - 10kHz (-10dB)
- Directional Charac. : Vertical 70° , Horizontal 50° (2kHz -6dB)
- Input Connector : 4-pin cable
- Pin Assign : Red, Pink (+), White, Translucent(-) 【※ FB-6001-LB】  
: Red(COM), Pink (170 Ω)  
: White(330 Ω), Translucent(670 Ω) 【※ FB-6001-HB】
- Cabinet : SPCC
- Mounting : M10 x 30 Stud Bolt x 4
- Dimensions : W500 x H330 x D90 (mm)
- Weight : 10.5kg 【※ FB-6001-LB】  
: 12.5kg 【※ FB-6001-HB】
- Color : Black (Standard color) , Available for Custom colors
- Accessories : M8 eyebolt x 2, M10 nut / washer/ spring washer x 4



No. PART NAME

Itemref	Quantity	Title/Name, designation, material, dimension etc			Article No./Reference	
DRAW.		Checked by	Approved by - date	File name	Date	Scale
<b>FPS INC.</b> 株式会社エフピーエス				FB-6001-LB / FB-6001-HB		
				Specification sheet	Edition	Sheet